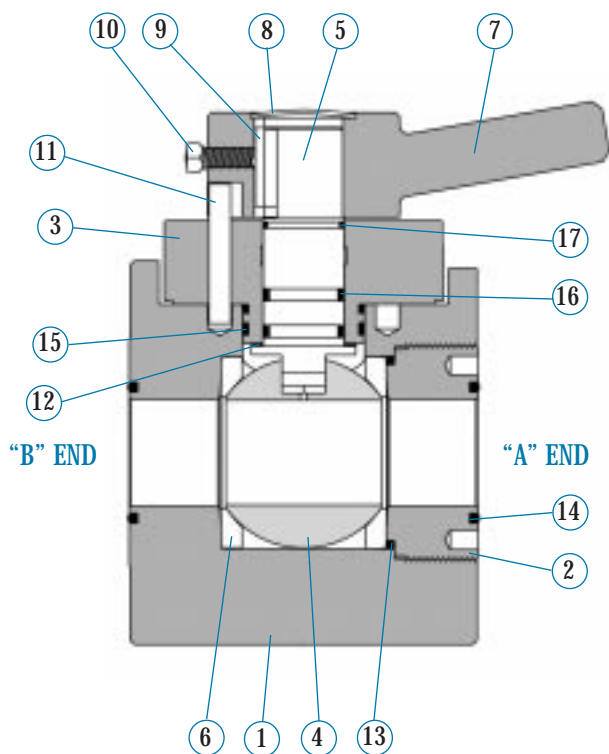


Component Parts



Not Shown  
 18 19 20 21 22 23

INDEX	REQUIRED	DESCRIPTION	MATERIAL
1	1	Body	Carbon Steel or Alloy Steel
2	1	Seat Retainer	Carbon Steel or Alloy Steel
3	1	Bonnet	Carbon Steel
4	1	Floating Ball	Carbon Steel or Alloy Steel (ENP) or 17-4 PH S.S.
5	1	Stem	17-4 PH Stainless Steel
6	2	Seat	Acetal Copolymer or PEEK
7	1	Handle	Carbon Steel
8	1	Cap	Carbon Steel
9	1	Stem/Handle Key	Carbon Steel
10	1	Set Screw	Carbon Steel - Zinc Plated
11	1	Stop Pin	Carbon Steel
12	1	Stem Thrust Bearing	Delrin
13	1	Seat Retainer Seal	Buna, Viton, Peroxide Cured Buna, EPDM, AFLAS, Low Temp Buna
14	2	Face Seal	Buna, Viton, Peroxide Cured Buna, EPDM, AFLAS, Low Temp Buna
15	2	Bonnet Seal	Buna, Viton, Peroxide Cured Buna, EPDM, AFLAS, Low Temp Buna
16	2	Stem Seal	Buna, Viton, Peroxide Cured Buna, EPDM, AFLAS, Low Temp Buna
17	1	Stem Weather Seal	Buna, Viton, Peroxide Cured Buna, EPDM, AFLAS, Low Temp Buna
18	Varies	Cap Screw Weather Seal	Nylon
19	Varies	Bonnet Cap Screw	Alloy Steel
20	1	Body Lubrication Fitting	Carbon Steel - Zinc Plated or 316 Stainless Steel
21	1	Stem Lubrication Fitting	Carbon Steel - Zinc Plated or 316 Stainless Steel
22	1	End Connection Assembly-"A" End	Carbon Steel or Alloy Steel, B7 Bolting
23	1	End Connection Assembly-"B" End	Carbon Steel or Alloy Steel, B7 Bolting