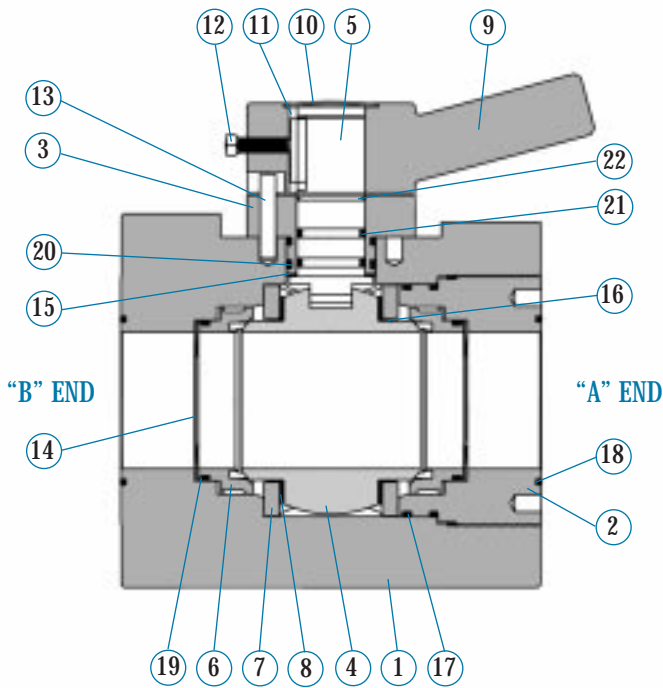


Component Parts



Not Shown  
 23 24 25 26 27 28 29

INDEX	REQUIRED	DESCRIPTION	MATERIAL
1	1	Body	Carbon Steel or Alloy Steel
2	1	Seat Retainer	Carbon Steel or Alloy Steel
3	1	Bonnet	Carbon Steel
4	1	Trunnion Ball	Carbon Steel or Alloy Steel (ENP) or 17-4 PH S.S.
5	1	Stem	17-4 PH Stainless Steel
6	2	Seat Assembly	Carbon Steel or 17-4 PH S.S./Acetal Copolymer or PEEK
7	2	Trunnion Bearing Support	Carbon Steel
8	2	Trunnion Bearing	Garlock DU
9	1	Handle	Carbon Steel
10	1	Cap	Carbon Steel
11	1	Stem/Handle Key	Carbon Steel
12	1	Set Screw	Carbon Steel - Zinc Plated
13	1	Stop Pin	Carbon Steel
14	Varies	Wave Spring	Carbon Steel or Inconel X-750
15	1	Stem Thrust Bearing	Delrin
16	2	Trunnion Shim	Nylon
17	2	Seat Retainer Seal	Buna, Viton, Peroxide Cured Buna, EPDM, AFLAS, Low Temp Buna
18	2	Face Seal	Buna, Viton, Peroxide Cured Buna, EPDM, AFLAS, Low Temp Buna
19	4	Seat Assembly Seal	Buna, Viton, Peroxide Cured Buna, EPDM, AFLAS, Low Temp Buna
20	2	Bonnet Seal	Buna, Viton, Peroxide Cured Buna, EPDM, AFLAS, Low Temp Buna
21	2	Stem Seal	Buna, Viton, Peroxide Cured Buna, EPDM, AFLAS, Low Temp Buna
22	1	Stem Weather Seal	Buna, Viton, Peroxide Cured Buna, EPDM, AFLAS, Low Temp Buna
23	Varies	Cap Screw Weather Seal	Nylon
24	Varies	Bonnet Cap Screw	Alloy Steel
25	1	Body Lubrication Fitting	Carbon Steel - Zinc Plated or 316 Stainless Steel
26	1	Stem Lubrication Fitting	Carbon Steel - Zinc Plated
27	1	Body Vent/Bleeder Fitting	Carbon Steel - Zinc Plated or 316 Stainless Steel
28	1	End Connection Assembly-"A" End	Carbon Steel or Alloy Steel, B7 Bolting
29	1	End Connection Assembly-"B" End	Carbon Steel or Alloy Steel, B7 Bolting