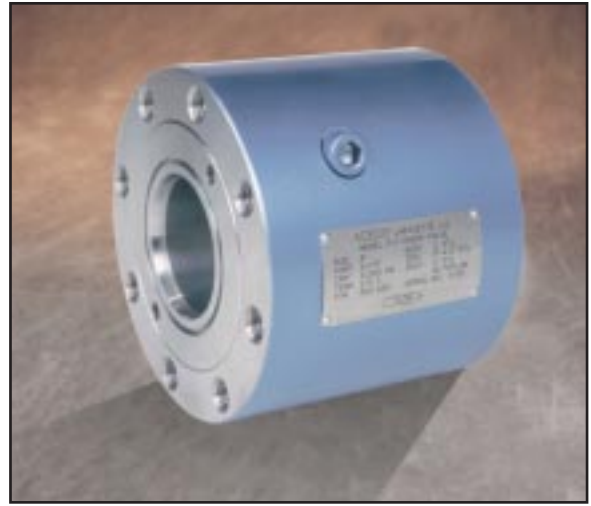
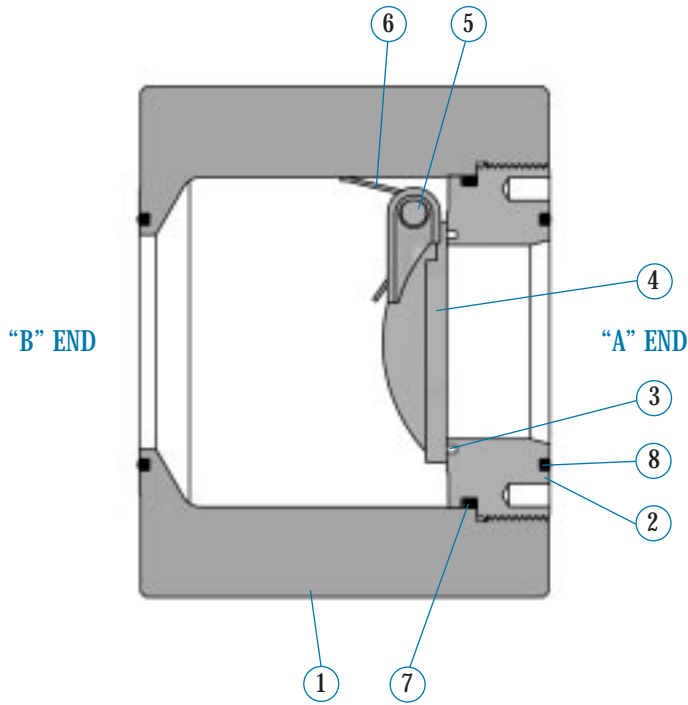


Component Parts



Not Shown

- 9
- 10
- 11
- 12

INDEX	REQUIRED	DESCRIPTION	MATERIAL
1	1	Body	Carbon Steel or Alloy Steel
2	1	Seat Retainer	Carbon Steel or Alloy Steel
3	1	Seat Insert	Teflon
4	1	Disc	Nitronic 60 or Incoloy
5	1	Shaft	17-4 PH Stainless Steel
6	1	Spring	Inconel X-750
7	1	Seat Retainer Seal	Buna, Viton, Peroxide Cured Buna, EPDM, AFLAS, Low Temp Buna
8	2	Face Seal	Buna, Viton, Peroxide Cured Buna, EPDM, AFLAS, Low Temp Buna
9	2	Shaft Retainer	302 Stainless Steel
10	2	Shaft Retainer Seal	Buna, Viton, Peroxide Cured Buna, EPDM, AFLAS, Low Temp Buna
11	1	End Connection Assembly-"A" End	Carbon Steel or Alloy Steel, B7 Bolting
12	1	End Connection Assembly-"B"End	Carbon Steel or Alloy Steel, B7 Bolting